



DUROWOOD

www.durowood.com

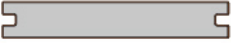
WOODX DECKING SERIES

DUROWOOD WOODX Decking Series

The Durowood WOODX decking uses a new multi-layer co-extrusion technology to provide the product with all-round 360-degree protection while presenting the original beauty of natural wood to users.




Decking Board

DW-002 
5.5x1 inch(138x22.5mm)



Skirting Board

DW-010 
9.5x0.5 inch(235x12mm)



DW-009 
4x2 inch(98x45mm)



DW-008 
5.5x1 inch(138x22.5mm)



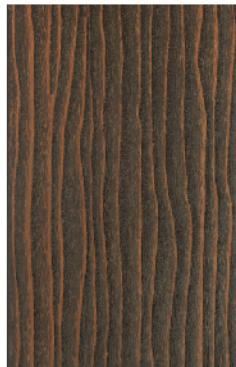
Decking Accessories

| | Name | Photo | Size | Color | Remark |
|---|---|---|-----------------------------------|--|--------------------------------|
| 1 | Stainless Steel Clip |  | 2X1X0.5 inch (40X24X10mm) | Steel | / |
| 2 | Stainless Stater Clip |  | 1X1X0.5 inch (28X25X11mm) | Steel | For fix the first board |
| 3 | Nose Board Clip |  | 1X1X0.3 inch (20X16X8mm) | Black | / |
| 4 | Stainless Steel Countersunk Self-tapping Screw |  | Dia 0.2X1 inch (Dia4.0X25mm) | Steel | For wood materials joist/keel |
| 5 | Stainless Steel Countersunk Self-Drilling Screw |  | Dia 0.2X1 inch (Dia4.2X25mm) | Steel | For metal materials joist/keel |
| 6 | Plastic Cap For Screw |  | Diameter 0.3 inch Diameter 8mm | Golden Sandalwood Crimson Walnut Glacier Silver Maple | / |

Color Options



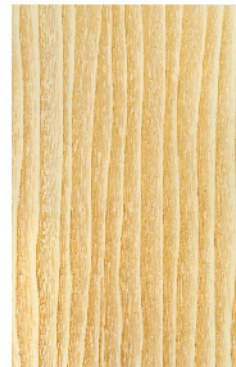
Golden Sandalwood



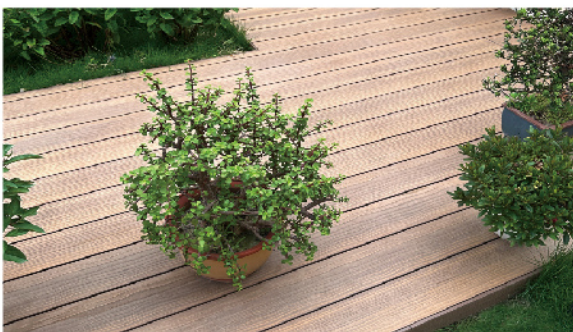
Crimson Walnut



Glacier Silver

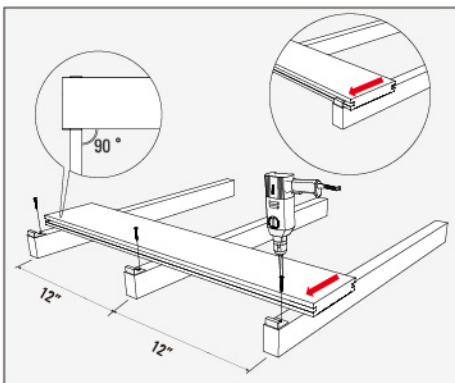


Maple

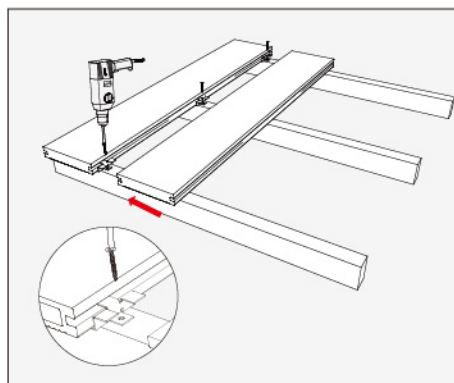


Note: Color difference may occur due to technical reasons. Please refer to real product.

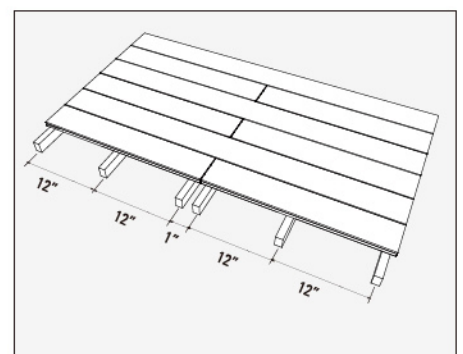
Installation Guide



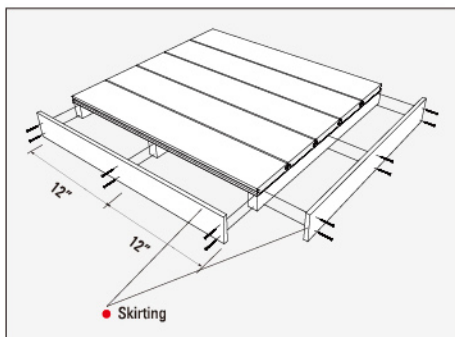
Decking boards should be installed perpendicularly to the beams, making sure the distance between beams is no more than 12".



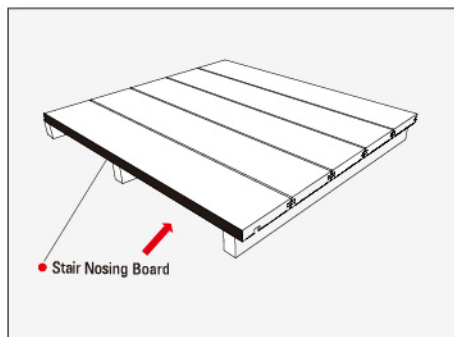
Put the stainless clip in the right position on the decking board at their junction. Suggested distance between support beams: 1" (2.5 cm). Making sure the beams have a 1" distance to each other.



Two support beams and clips are required for each board at their junction. Suggested distance between support beams: 1" (2.5 cm). Making sure the beams have a 1" distance to each other.



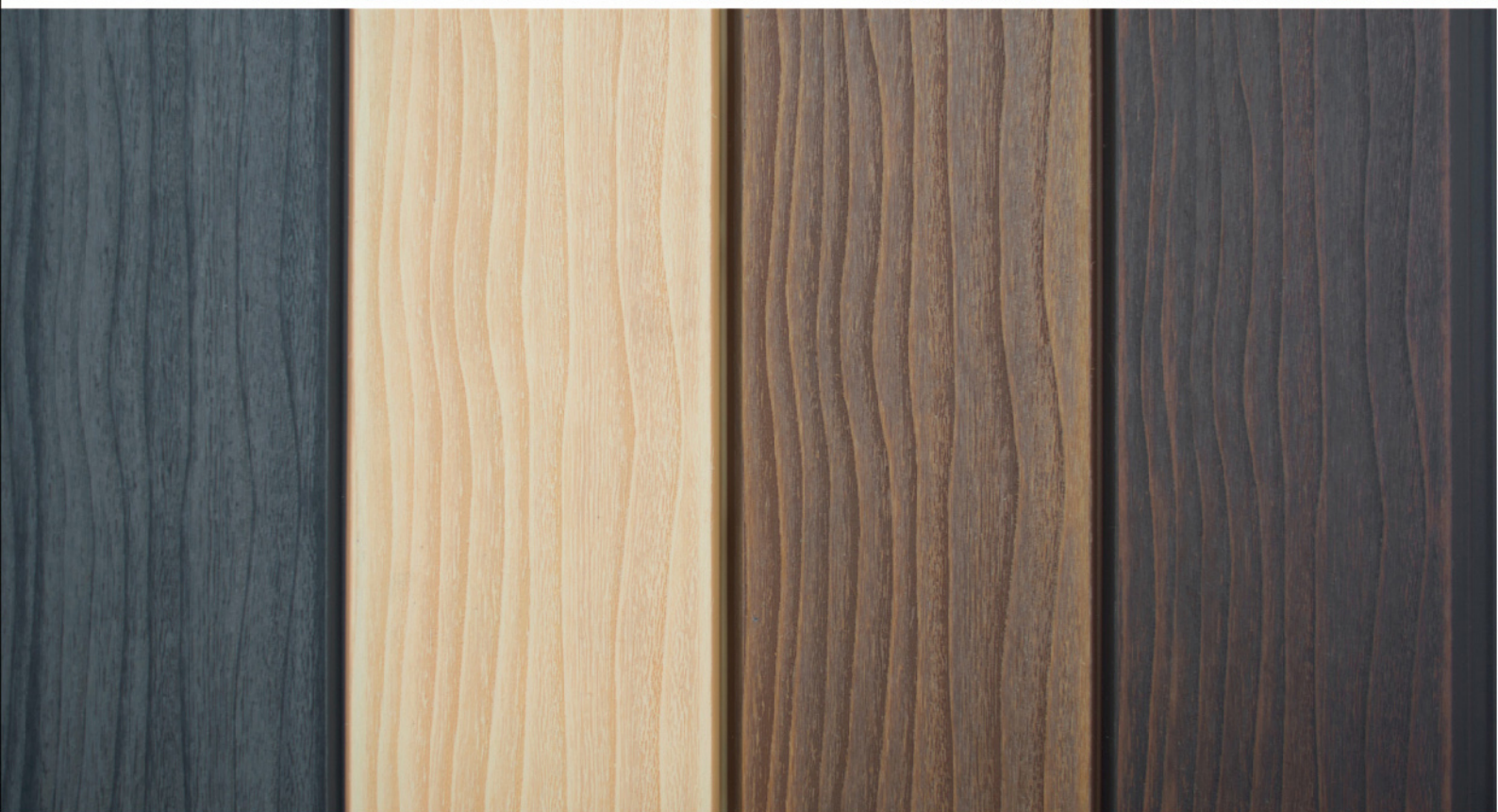
Install skirting with screws to the beams, making sure 2 screws are installed every 12" (30 cm).



The edging board provide an elegant finishing cover for decking system.

Note: Composite, like other materials, will expand and shrink with temperature changes; this means that your composite boards might be longer in summer and shorter in winter. For this reason, it is necessary to leave a sufficient gap between boards.

- ▶ **Low Maintenance**
- ▶ **Safety**
- ▶ **Durability**



DUROWOOD
www.durowood.com